



IP4776CZ38

Fully integrated HDMI interface with level shifter, ESD and backdrive protection

Rev. 04 — 12 June 2007

Product data sheet

1. General description

The IP4776CZ38 is designed for HDMI host-interface protection. The IP4776CZ38 includes level shifting for the DDC channels and backdrive protection for HDMI as well as high-level ESD protection diodes for the TMDS signal lines.

The level shifting function is required when the receiver operates at a supply voltage lower than the external devices to protect the I/Os against over voltages. The IP4776CZ38 contains four N-channel MOSFETs to provide this level shifting function.

Furthermore, all TMDS intra-pairs are protected by a special diode configuration offering an ultra low line capacitance of 0.7 pF only. These diodes provide protection to downstream components from ESD voltages up to ± 8 kV contact according to the IEC 61000-4-2, level 4 standard.

2. Features

- Pb-free and RoHS compliant, Dark Green
- Integrated high-level ESD protection, level shifting and backdrive protection
- All TMDS lines with integrated rail-to-rail clamping diodes with downstream ESD protection of ± 8 kV according to IEC 61000-4-2, level 4 standard
- Matched 0.5 mm trace spacing
- Bidirectional level shifting N-channel FETs provided for DDC clock and data channels
- TMDS lines with ≤ 0.05 pF matching of capacitance between the TMDS pairs
- Ultra low line capacitance of 0.7 pF per channel
- HDMI 1.3 compliant
- Backdrive protection
- 38-pin TSSOP lead-free package

3. Applications

- The IP4776CZ38 is designed for HDMI receiver and transmitter port protection, level shifting and backdrive protection e.g.:
 - ◆ TV
 - ◆ Graphics card
 - ◆ Set-top box
 - ◆ DVD
 - ◆ Digital media adapter
 - ◆ Game console

4. Ordering information

Table 1. Ordering information

Type number	Package		Version
	Name	Description	
IP4776CZ38	TSSOP38	plastic thin shrink small outline package; 38 leads; body width 4.4 mm; lead pitch 0.5 mm	SOT510-1

5. Functional diagram

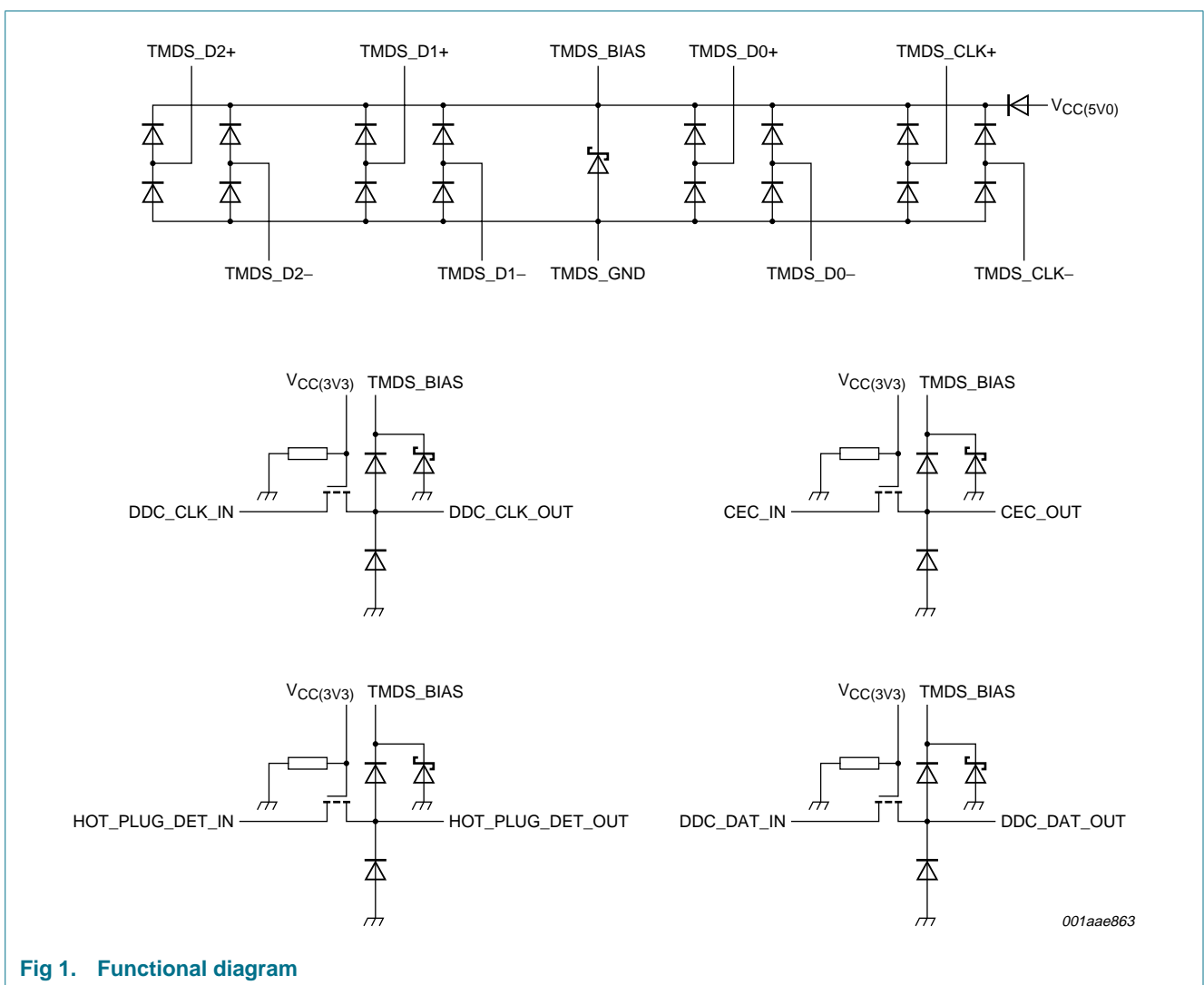
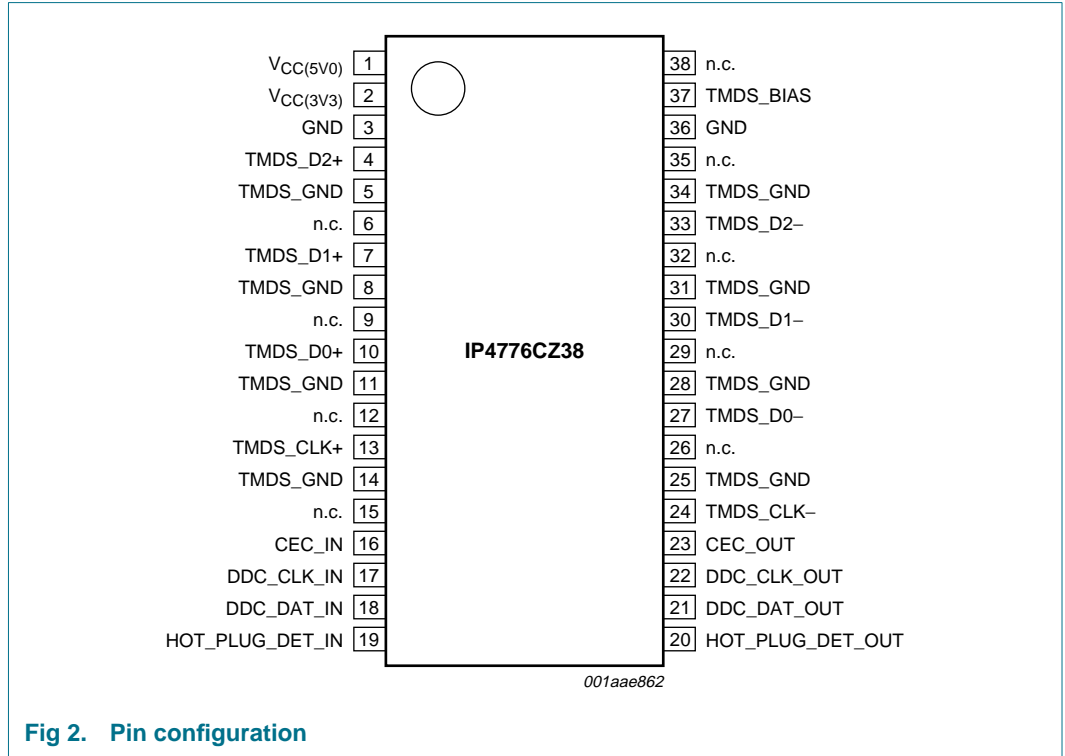


Fig 1. Functional diagram

6. Pinning information

6.1 Pinning



6.2 Pin description

Table 2. Pin description

Symbol	Pin	Description
V _{CC(5V0)}	1	supply voltage
V _{CC(3V3)}	2	bias supply voltage for the level shifters
GND	3	ground reference ^[1]
TMDS_D2+	4	D2+ TMDS ESD protection ^[2]
TMDS_GND	5	ground reference ^[1]
n.c.	6	not connected ^[2]
TMDS_D1+	7	D1+ TMDS ESD protection ^[2]
TMDS_GND	8	ground reference ^[1]
n.c.	9	not connected ^[2]
TMDS_D0+	10	D0+ TMDS ESD protection ^[2]
TMDS_GND	11	ground reference ^[1]
n.c.	12	not connected ^[2]
TMDS_CLK+	13	CLK+ TMDS ESD protection ^[2]
TMDS_GND	14	ground reference ^[1]
n.c.	15	not connected ^[2]

Table 2. Pin description ...continued

Symbol	Pin	Description
CEC_IN	16	CEC input ^[3]
DDC_CLK_IN	17	DDC clock input ^[3]
DDC_DAT_IN	18	DDC data input ^[3]
HOT_PLUG_DET_IN	19	hot plug detection input ^[3]
HOT_PLUG_DET_OUT	20	hot plug detection output ^[4]
DDC_DAT_OUT	21	DDC data output ^[4]
DDC_CLK_OUT	22	DDC clock output ^[4]
CEC_OUT	23	CEC output ^[4]
TMDS_CLK-	24	CLK- TMDS ESD protection ^[2]
TMDS_GND	25	ground reference ^[1]
n.c.	26	not connected ^[2]
TMDS_D0-	27	D0- TMDS ESD protection ^[2]
TMDS_GND	28	ground reference ^[1]
n.c.	29	not connected ^[2]
TMDS_D1-	30	D1- TMDS ESD protection ^[2]
TMDS_GND	31	ground reference ^[1]
n.c.	32	not connected ^[2]
TMDS_D2-	33	D2- TMDS ESD protection ^[2]
TMDS_GND	34	ground reference ^[1]
n.c.	35	not connected ^[2]
GND	36	ground reference ^[1]
TMDS_BIAS	37	bias for TMDS ESD protection and bias for level shifter output ESD protection. This pin must be connected to a 0.1 μ F capacitor.
n.c.	38	not connected

[1] Pins GND and TMDS_GND are internally connected.

[2] This pin always has to be connected to the pin on the opposite location of the IC via a PCB track to guarantee correct functionality; see [Figure 3](#), [Figure 4](#) and [Figure 5](#).

[3] $V_{CC(3V3)}$ referenced logic level in.

[4] $V_{CC(5V0)}$ referenced logic level out.

7. Limiting values

Table 3. Limiting values

In accordance with the Absolute Maximum Rating System (IEC 60134).

Symbol	Parameter	Conditions	Min	Max	Unit	
V_{CC}	supply voltage		GND – 0.5	5.5	V	
V_I	input voltage	at input pins	GND – 0.5	5.5	V	
V_{ESD}	electrostatic discharge voltage	signal pins; IEC 61000-4-2, level 4	[1]			
		contact	[2]	–8	+8	kV
		air discharge	[2]	–15	+15	kV
		all other pins; MIL-STD-883 Method 3015 (human body model)				
		contact		–2	+2	kV
		air discharge		–2	+2	kV
T_{stg}	storage temperature		–55	+125	°C	

[1] Signal pins:
 TMDS_D2+, TMDS_D2–, TMDS_D1+, TMDS_D1–, TMDS_D0+, TMDS_D0–,
 TMDS_CLK+, TMDS_CLK–,
 CEC_OUT,
 DDC_DAT_OUT,
 DDC_CLK_OUT,
 HOT_PLUG_DET_OUT.

[2] This measurement is performed with a 0.1 μ F external capacitor on pin TMDS_BIAS.

8. Recommended operating conditions

Table 4. Recommended operating conditions

Symbol	Parameter	Conditions	Min	Typ	Max	Unit
T_{amb}	ambient temperature		–40	-	+85	°C

9. Characteristics

Table 5. Characteristics

$T_{amb} = 25\text{ °C}$; unless otherwise specified.

Symbol	Parameter	Conditions	Min	Typ	Max	Unit	
$I_{CC(5V0)}$	supply current (5.0 V)	$V_{CC(5V0)} = 5.0\text{ V}$	-	-	130	μ A	
$I_{CC(3V3)}$	supply current (3.3 V)	$V_{CC(3V3)} = 3.3\text{ V}$	-	1	5	μ A	
$I_{bck(out-VCC5V0)}$	back current from output / TMDS pins to $V_{CC(5V0)}$	signal pins; powered down; $V_{CC(5V0)} < V_{O(ch)}$	[1]	-	0.1	0.5	μ A
V_{BRzd}	Zener diode breakdown voltage	$I = 1\text{ mA}$	6	-	9	V	
$I_{L(r)}$	reverse leakage current	per TMDS channel; $V_I = 3.0\text{ V}$	-	-	1	μ A	
V_F	forward voltage		-	0.7	-	V	
$C_{ch(TMDS)}$	TMDS channel capacitance	$V_{CC(5V0)} = 5\text{ V}$; $f = 1\text{ MHz}$; $V_{bias} = 2.5\text{ V}$	[2]	-	0.7	-	pF

Table 5. Characteristics ...continued
 $T_{amb} = 25\text{ }^{\circ}\text{C}$; unless otherwise specified.

Symbol	Parameter	Conditions	Min	Typ	Max	Unit
$\Delta C_{ch(TMDS)}$	TMDS channel capacitance difference	$V_{CC(5V0)} = 5\text{ V}$; $f = 1\text{ MHz}$; $V_{bias} = 2.5\text{ V}$	[2] -	0.05	-	pF
$C_{ch(mutual)}$	mutual channel capacitance	between signal pin and pin n.c.; $V_{CC(5V0)} = 0\text{ V}$; $f = 1\text{ MHz}$; $V_{bias} = 2.5\text{ V}$	[2] -	0.07	-	pF
$C_{l(ch-GND)(levsh)}$	level shifting input capacitance from channel to ground	$V_{CC(5V0)} = 0\text{ V}$; $f = 1\text{ MHz}$; $V_{bias} = 2.5\text{ V}$	[2] -	4	6	pF
R_{dyn}	dynamic resistance	$I = 1\text{ A}$; IEC 61000-4-5/9				
		positive transient	-	2.4	-	Ω
		negative transient	-	1.3	-	Ω
$V_{CL(ch)trt(pos)}$	positive transient channel clamping voltage	$V_{ESD} = 8\text{ kV}$	[3] -	8	-	V
ΔV_{on}	on-state voltage drop	$V_{CC(3V3)} = 2.5\text{ V}$; $V_S = \text{GND}$; $I_{DS} = 3\text{ mA}$	[4] -	85	140	mV

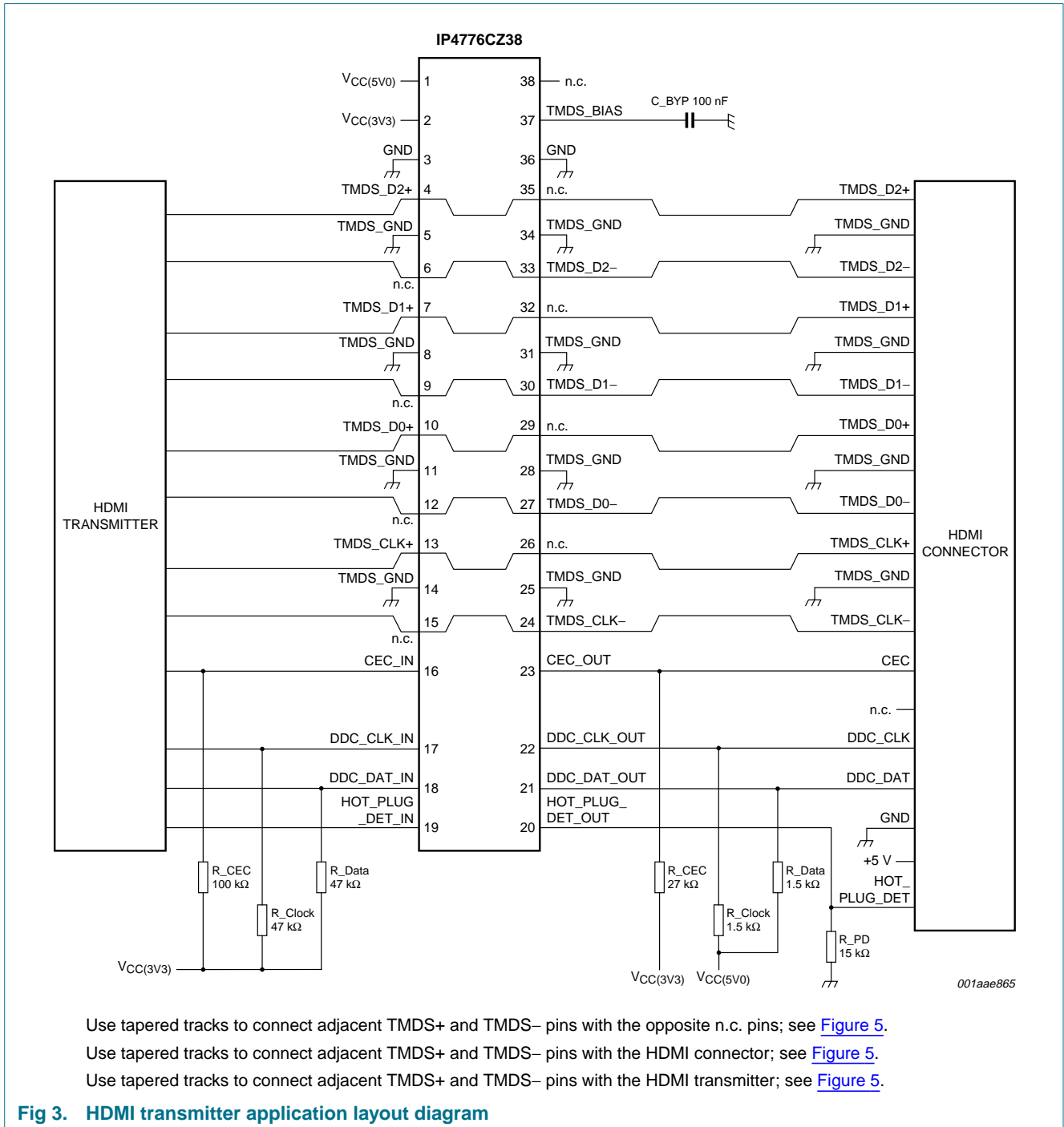
[1] Signal pins:
 TMDS_D2+, TMDS_D2-, TMDS_D1+, TMDS_D1-, TMDS_D0+, TMDS_D0-,
 TMDS_CLK+, TMDS_CLK-,
 CEC_OUT,
 DDC_DAT_OUT,
 DDC_CLK_OUT,
 HOT_PLUG_DET_OUT.

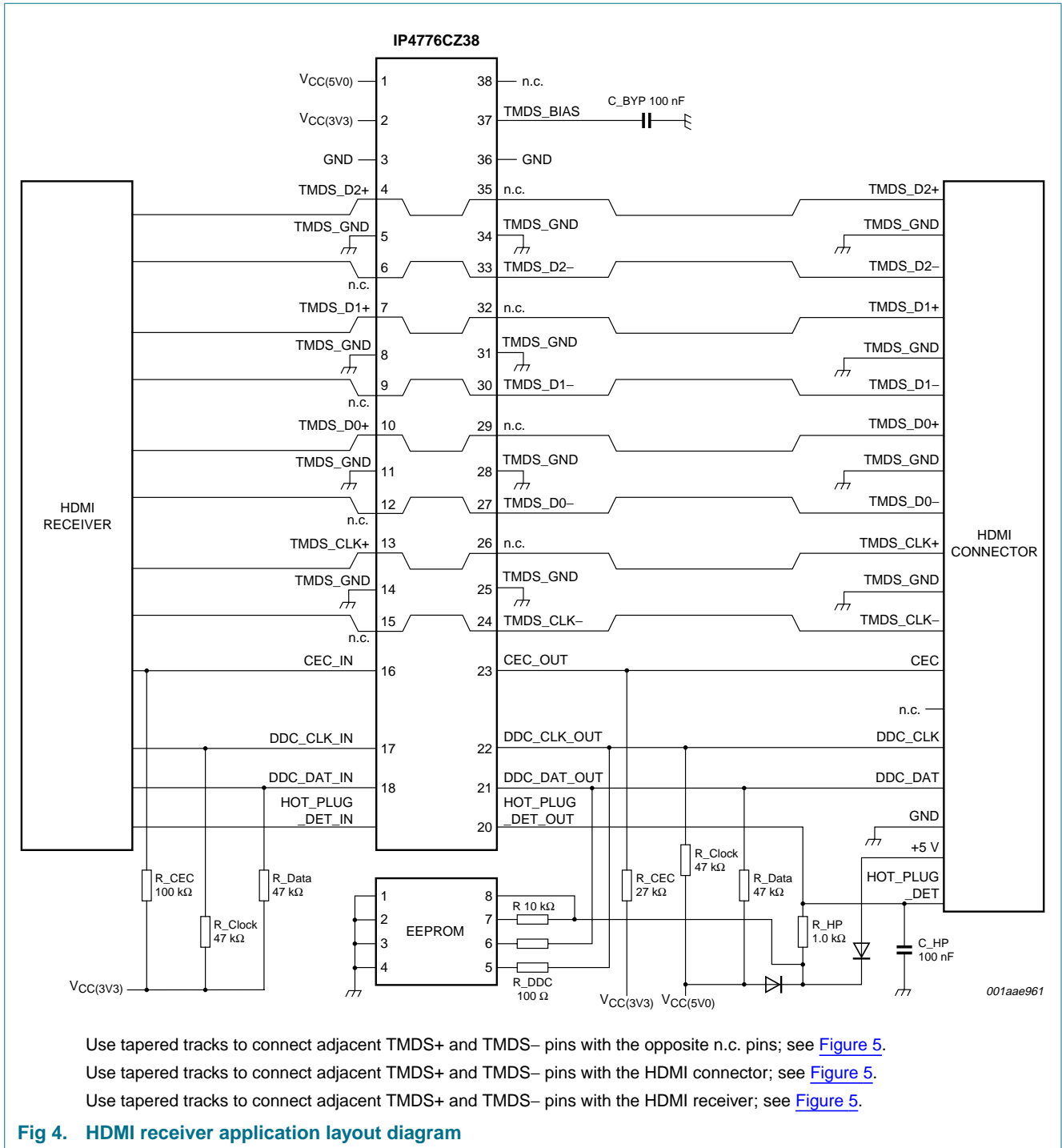
[2] This parameter is guaranteed by design.

[3] This measurement is performed with a 0.1 μF external capacitor on pin TMDS_BIAS.

[4] For level shifting N-FET.

10. Application information





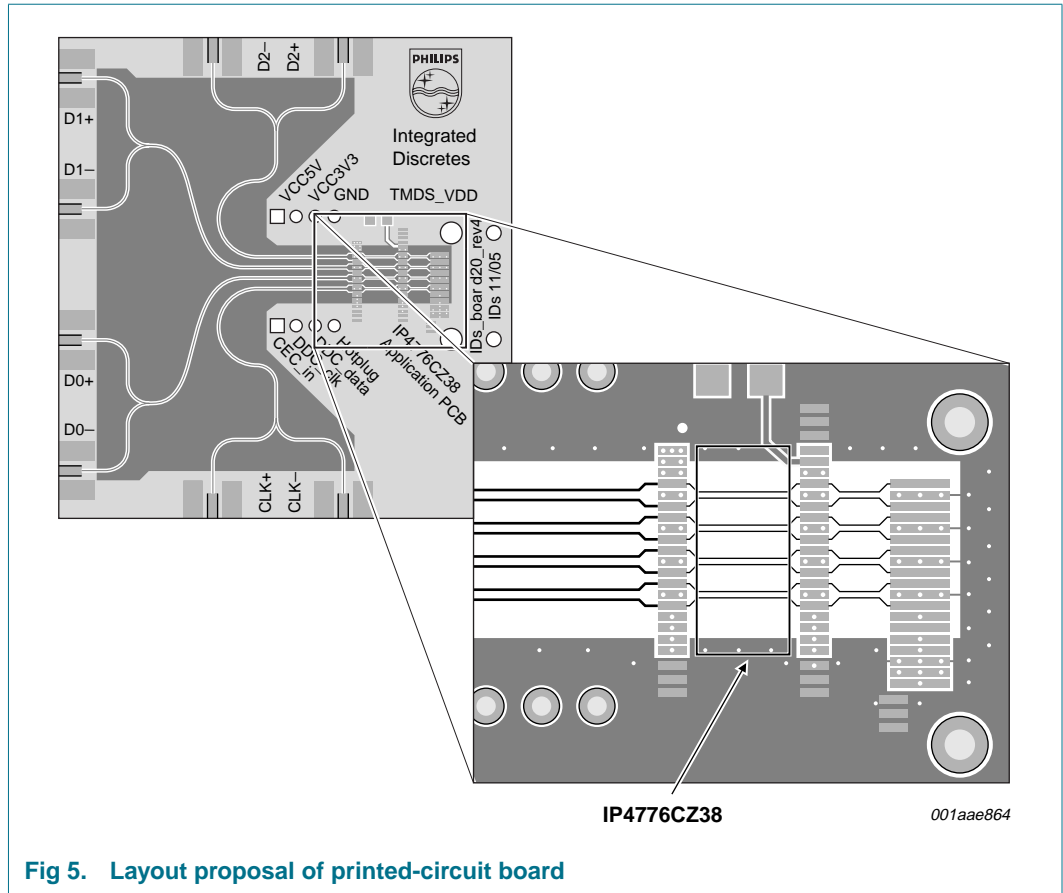


Fig 5. Layout proposal of printed-circuit board

11. Package outline

TSSOP38: plastic thin shrink small outline package; 38 leads; body width 4.4 mm; lead pitch 0.5 mm

SOT510-1

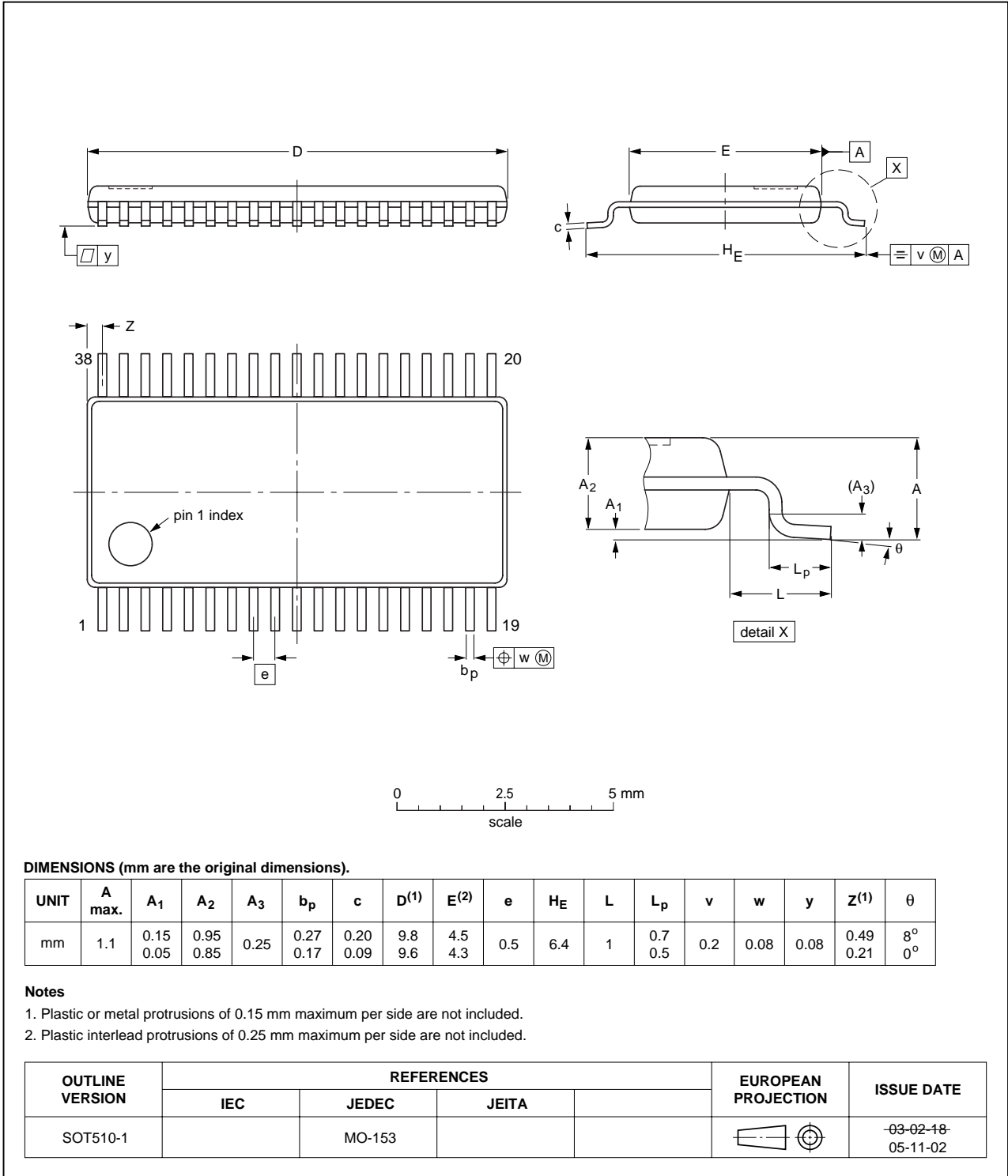


Fig 6. Package outline SOT510-1 (TSSOP38)

12. Abbreviations

Table 6. Abbreviations

Acronym	Description
CEC	Consumer Electronics Control
DDC	Data Display Channel
DVD	Digital Video Disk
ESD	ElectroStatic Discharge
FET	Field Effect Transistor
HDM	High-Definition Multimedia
HDMI	High-Definition Multimedia Interface
MOSFET	Metal Oxide Semiconductor Field Effect Transistor
RoHS	Restriction of the use of certain Hazardous Substances
TMDS	Transition Minimized Differential Signaling

13. Revision history

Table 7. Revision history

Document ID	Release date	Data sheet status	Change notice	Supersedes
IP4776CZ38_4	20070612	Product data sheet	-	IP4776CZ38_3
Modifications:	<ul style="list-style-type: none"> • Section 2; update of first feature. • Table 5; update of Max. value of back current from output / TMDS pins to $V_{CC(5V0)}$. 			
IP4776CZ38_3	20070125	Product data sheet	-	IP4776CZ38_2
Modifications:	<ul style="list-style-type: none"> • The format of this data sheet has been redesigned to comply with the new identity guidelines of NXP Semiconductors. • Legal texts have been adapted to the new company name where appropriate. • Table 5; update of supply current (5.0 V), Min and Typ values • Update of Figure 3 and Figure 4 			
IP4776CZ38_2	20060918	Product data sheet	-	IP4776CZ38_1
IP4776CZ38_1	20060714	Product data sheet	-	-

14. Legal information

14.1 Data sheet status

Document status ^{[1][2]}	Product status ^[3]	Definition
Objective [short] data sheet	Development	This document contains data from the objective specification for product development.
Preliminary [short] data sheet	Qualification	This document contains data from the preliminary specification.
Product [short] data sheet	Production	This document contains the product specification.

[1] Please consult the most recently issued document before initiating or completing a design.

[2] The term 'short data sheet' is explained in section "Definitions".

[3] The product status of device(s) described in this document may have changed since this document was published and may differ in case of multiple devices. The latest product status information is available on the Internet at URL <http://www.nxp.com>.

14.2 Definitions

Draft — The document is a draft version only. The content is still under internal review and subject to formal approval, which may result in modifications or additions. NXP Semiconductors does not give any representations or warranties as to the accuracy or completeness of information included herein and shall have no liability for the consequences of use of such information.

Short data sheet — A short data sheet is an extract from a full data sheet with the same product type number(s) and title. A short data sheet is intended for quick reference only and should not be relied upon to contain detailed and full information. For detailed and full information see the relevant full data sheet, which is available on request via the local NXP Semiconductors sales office. In case of any inconsistency or conflict with the short data sheet, the full data sheet shall prevail.

14.3 Disclaimers

General — Information in this document is believed to be accurate and reliable. However, NXP Semiconductors does not give any representations or warranties, expressed or implied, as to the accuracy or completeness of such information and shall have no liability for the consequences of use of such information.

Right to make changes — NXP Semiconductors reserves the right to make changes to information published in this document, including without limitation specifications and product descriptions, at any time and without notice. This document supersedes and replaces all information supplied prior to the publication hereof.

Suitability for use — NXP Semiconductors products are not designed, authorized or warranted to be suitable for use in medical, military, aircraft, space or life support equipment, nor in applications where failure or

malfunction of a NXP Semiconductors product can reasonably be expected to result in personal injury, death or severe property or environmental damage. NXP Semiconductors accepts no liability for inclusion and/or use of NXP Semiconductors products in such equipment or applications and therefore such inclusion and/or use is at the customer's own risk.

Applications — Applications that are described herein for any of these products are for illustrative purposes only. NXP Semiconductors makes no representation or warranty that such applications will be suitable for the specified use without further testing or modification.

Limiting values — Stress above one or more limiting values (as defined in the Absolute Maximum Ratings System of IEC 60134) may cause permanent damage to the device. Limiting values are stress ratings only and operation of the device at these or any other conditions above those given in the Characteristics sections of this document is not implied. Exposure to limiting values for extended periods may affect device reliability.

Terms and conditions of sale — NXP Semiconductors products are sold subject to the general terms and conditions of commercial sale, as published at <http://www.nxp.com/profile/terms>, including those pertaining to warranty, intellectual property rights infringement and limitation of liability, unless explicitly otherwise agreed to in writing by NXP Semiconductors. In case of any inconsistency or conflict between information in this document and such terms and conditions, the latter will prevail.

No offer to sell or license — Nothing in this document may be interpreted or construed as an offer to sell products that is open for acceptance or the grant, conveyance or implication of any license under any copyrights, patents or other industrial or intellectual property rights.

14.4 Trademarks

Notice: All referenced brands, product names, service names and trademarks are the property of their respective owners.

15. Contact information

For additional information, please visit: <http://www.nxp.com>

For sales office addresses, send an email to: salesaddresses@nxp.com

16. Contents

1 **General description** 1

2 **Features** 1

3 **Applications** 1

4 **Ordering information** 2

5 **Functional diagram** 2

6 **Pinning information** 3

6.1 Pinning 3

6.2 Pin description 3

7 **Limiting values** 5

8 **Recommended operating conditions** 5

9 **Characteristics** 5

10 **Application information** 7

11 **Package outline** 10

12 **Abbreviations** 11

13 **Revision history** 11

14 **Legal information** 12

14.1 Data sheet status 12

14.2 Definitions 12

14.3 Disclaimers 12

14.4 Trademarks 12

15 **Contact information** 12

16 **Contents** 13

Please be aware that important notices concerning this document and the product(s) described herein, have been included in section 'Legal information'.



© NXP B.V. 2007.

All rights reserved.

For more information, please visit: <http://www.nxp.com>

For sales office addresses, please send an email to: salesaddresses@nxp.com

Date of release: 12 June 2007

Document identifier: IP4776CZ38_4